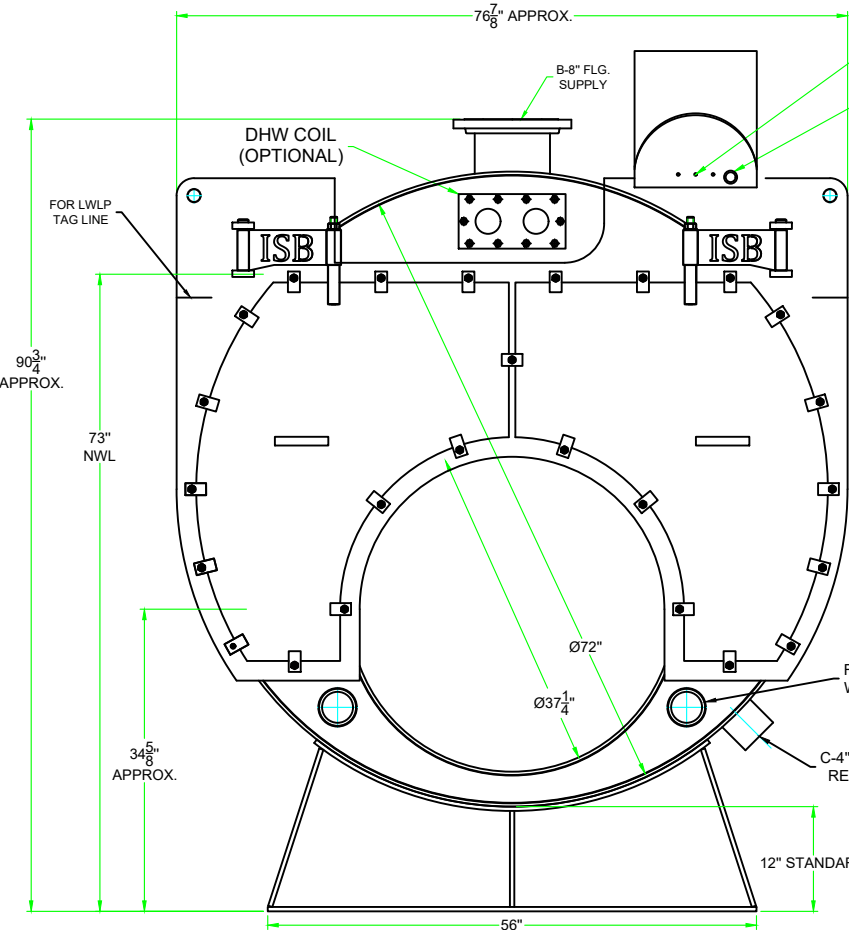
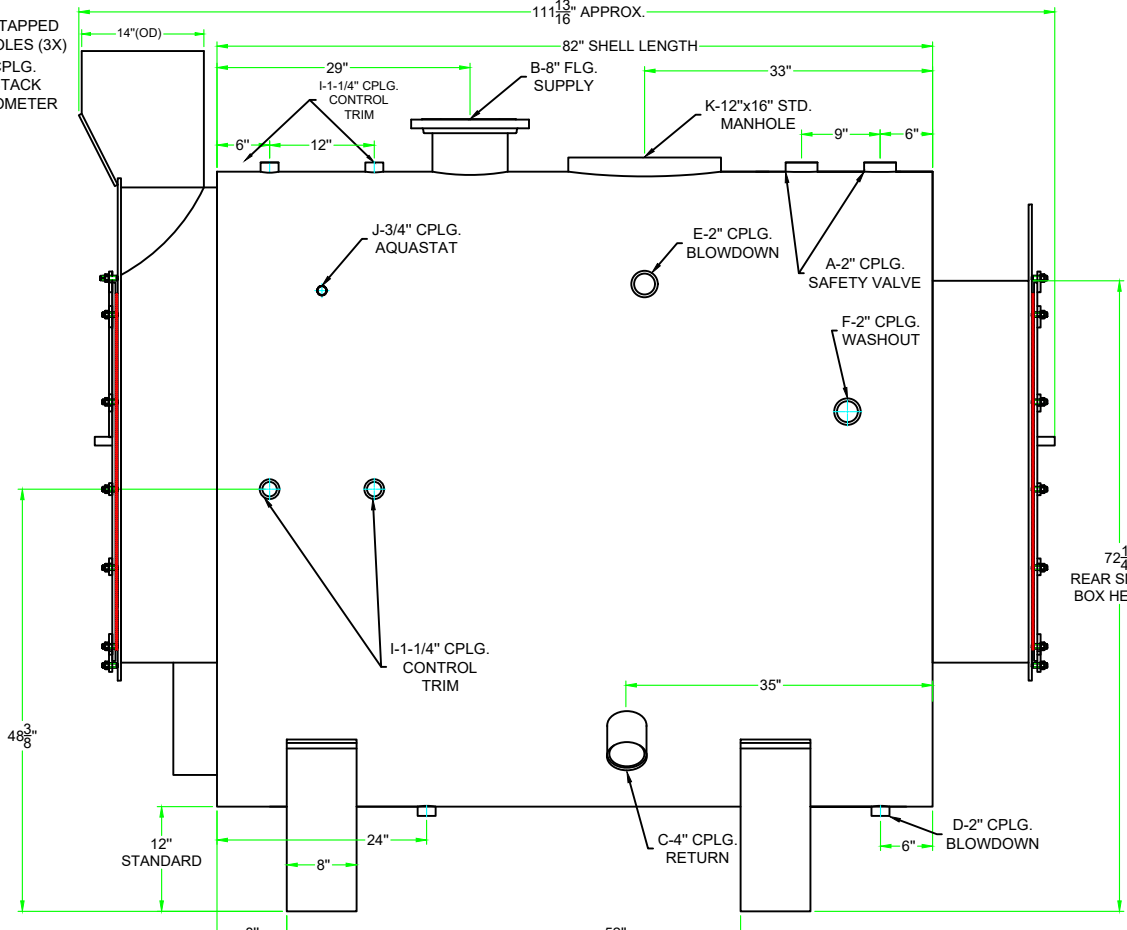


G-Ø14" EXHAUST GAS OUTLET

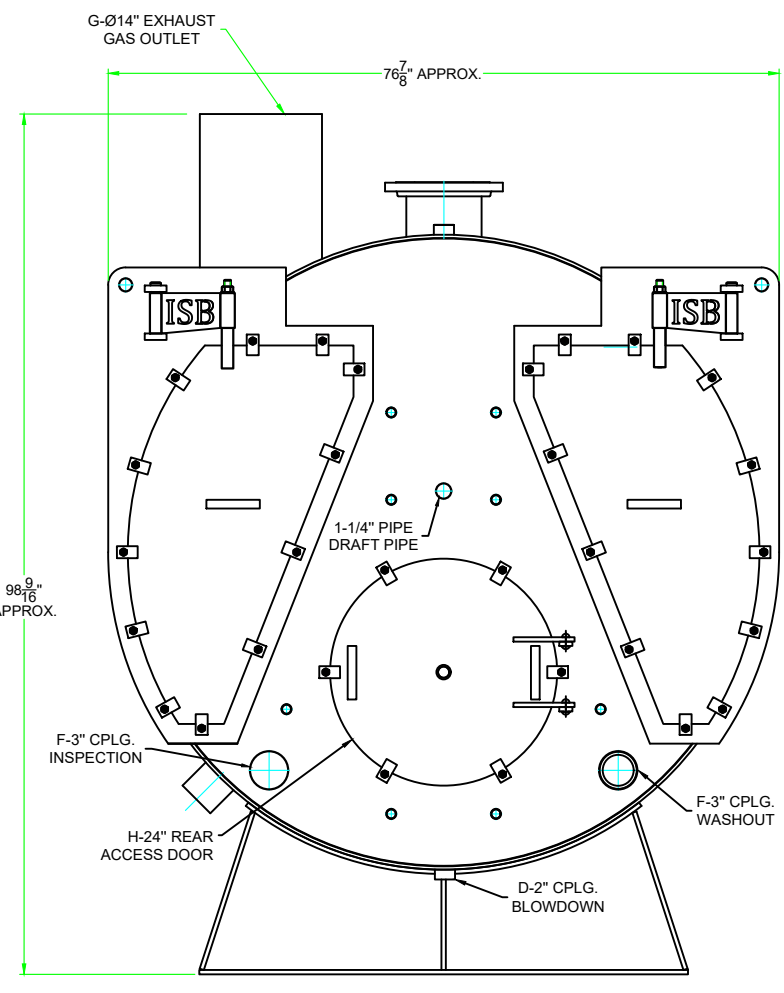
A-2" CPLG. SAFETY VALVE



76 $\frac{7}{8}$ " APPROX.
 90 $\frac{3}{4}$ " APPROX.
 73" NWL
 34 $\frac{5}{8}$ " APPROX.
 56"
 12" STANDARD
 Ø72"
 Ø37 $\frac{1}{4}$ "
 B-8" FLG. SUPPLY
 Ø5/16" TAPPED TEST HOLES (3X) 1/2" CPLG. FOR STACK THERMOMETER
 DHW COIL (OPTIONAL)
 FOR LWLP TAG LINE
 ISB
 F-3" CPLG. WASHOUT
 C-4" CPLG. RETURN



111 $\frac{13}{16}$ " APPROX.
 82" SHELL LENGTH
 33"
 14"(OD)
 29"
 6"
 12"
 9"
 6"
 72 $\frac{1}{4}$ " REAR SMOKE BOX HEIGHT
 48 $\frac{3}{8}$ "
 12" STANDARD
 8"
 24"
 52"
 8"
 35"
 6"
 I-1-1/4" CPLG. CONTROL TRIM
 B-8" FLG. SUPPLY
 K-12"x16" STD. MANHOLE
 J-3/4" CPLG. AQUASTAT
 E-2" CPLG. BLOWDOWN
 A-2" CPLG. SAFETY VALVE
 F-2" CPLG. WASHOUT
 I-1-1/4" CPLG. CONTROL TRIM
 C-4" CPLG. RETURN
 D-2" CPLG. BLOWDOWN



76 $\frac{7}{8}$ " APPROX.
 98 $\frac{9}{16}$ " APPROX.
 72 $\frac{1}{4}$ " REAR SMOKE BOX HEIGHT
 1-1/4" PIPE DRAFT PIPE
 F-3" CPLG. INSPECTION
 H-24" REAR ACCESS DOOR
 F-3" CPLG. WASHOUT
 D-2" CPLG. BLOWDOWN

DRAWN BY MJA CHECK BY THOMAS FRANCUCCIO QUALITY CONTROL THOMAS FRANCUCCIO	11/27/2023 11/27/2023 11/27/2023	INDUSTRIAL STEAM BOILER CORPORATION 70 LAMBERT AVE, COPIAGUE, NY 11726 Ph: 1-718-665-0888		
THIS DOCUMENT CONTAINS CONFIDENTIAL INFORMATION WHICH IS THE PROPERTY OF INDUSTRIAL STEAM BOILER CORP. THIS DOCUMENT MAY NOT BE REPRODUCED, TRANSFERRED OR USED, OR ITS CONTENTS DISCLOSED, WITHOUT THE WRITTEN PERMISSION OF THE OWNER.		100 HP 4 PASS (15 PSI STEAM) FRONT, SIDE, REAR & TOP VIEW		
PROJECT:	SIZE B	PROJECT NO	DWG NO. ISB4-100SD	REV 0
	SCALE 1:22		SHEET #1	