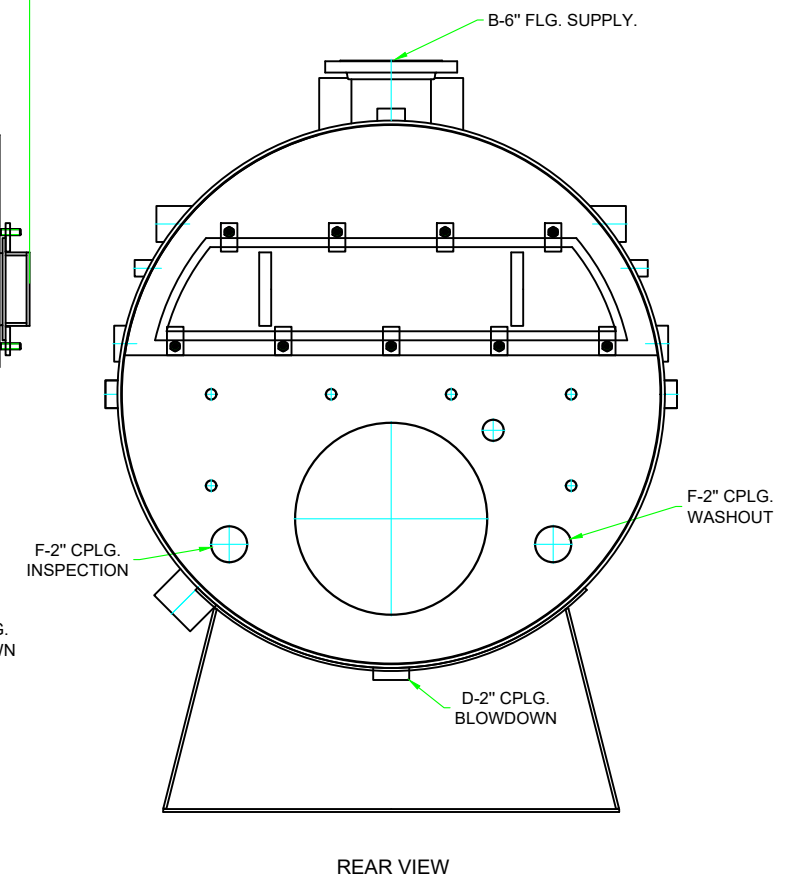
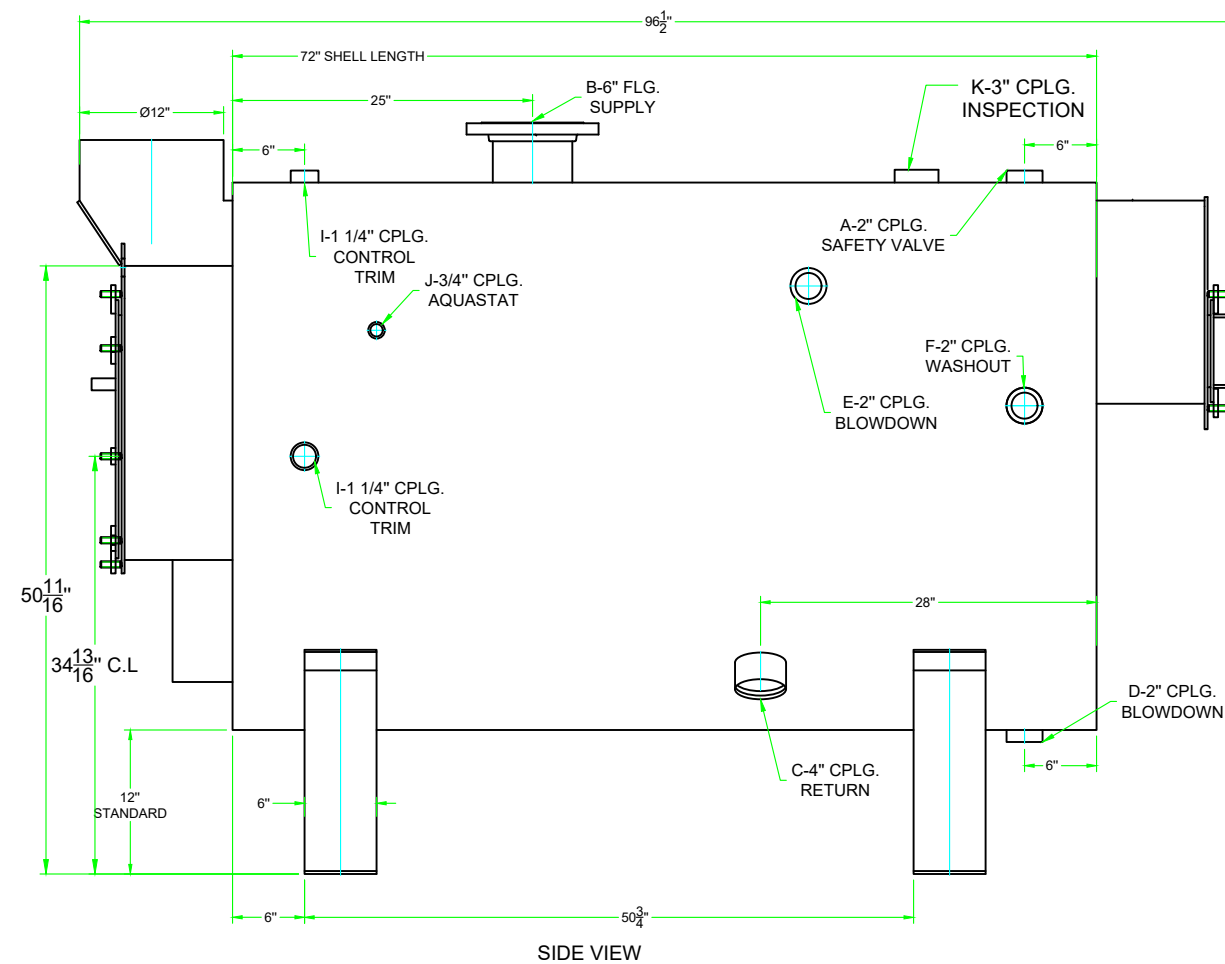
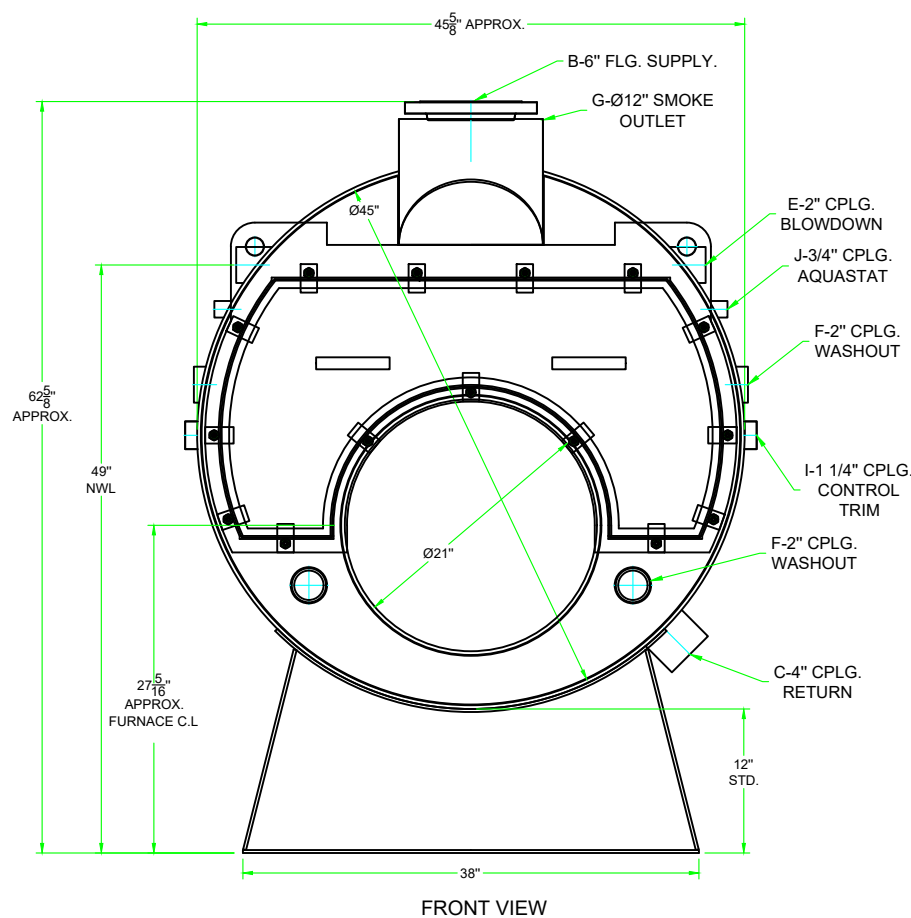


G-Ø12" EXHAUST
OUTLET

K-3" CPLG.
INSPECTION

TOP VIEW



DRAWN BY MJA	12/13/2023
CHECK BY THOMAS FRANCUCCO	12/13/2023
QUALITY CONTROL THOMAS FRANCUCCO	12/13/2023

INDUSTRIAL STEAM BOILER CORPORATION
70 LAMBERT AVE, COPIAGUE, NY 11726
Ph: 1-718-665-0888

THIS DOCUMENT CONTAINS CONFIDENTIAL INFORMATION WHICH IS THE PROPERTY OF INDUSTRIAL STEAM BOILER CORP. THIS DOCUMENT MAY NOT BE REPRODUCED, TRANSFERRED OR USED, OR ITS CONTENTS DISCLOSED, WITHOUT THE WRITTEN PERMISSION OF THE OWNER.

32 HP 4 PASS (15 PSI STEAM)
FRONT, SIDE, REAR & TOP VIEW

PROJECT	SIZE B	SERIAL NO	DWG NO. ISB4-32SD1	REV 0
	SCALE 1:16	SHEET #1		