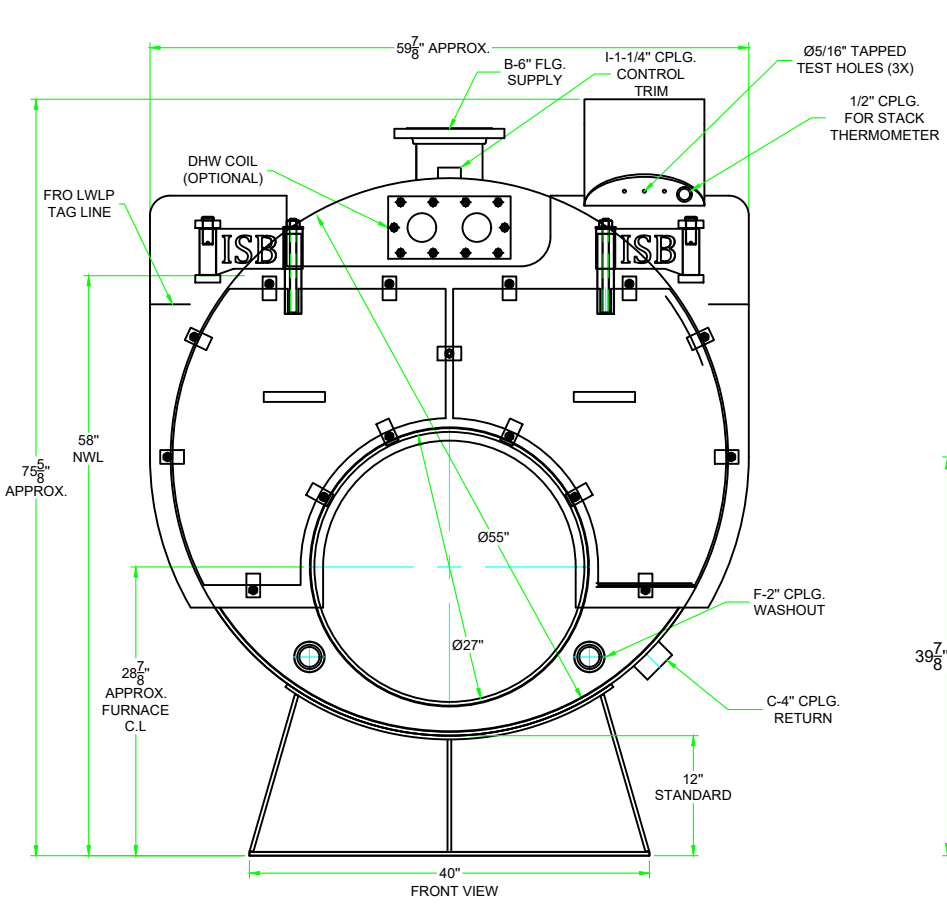
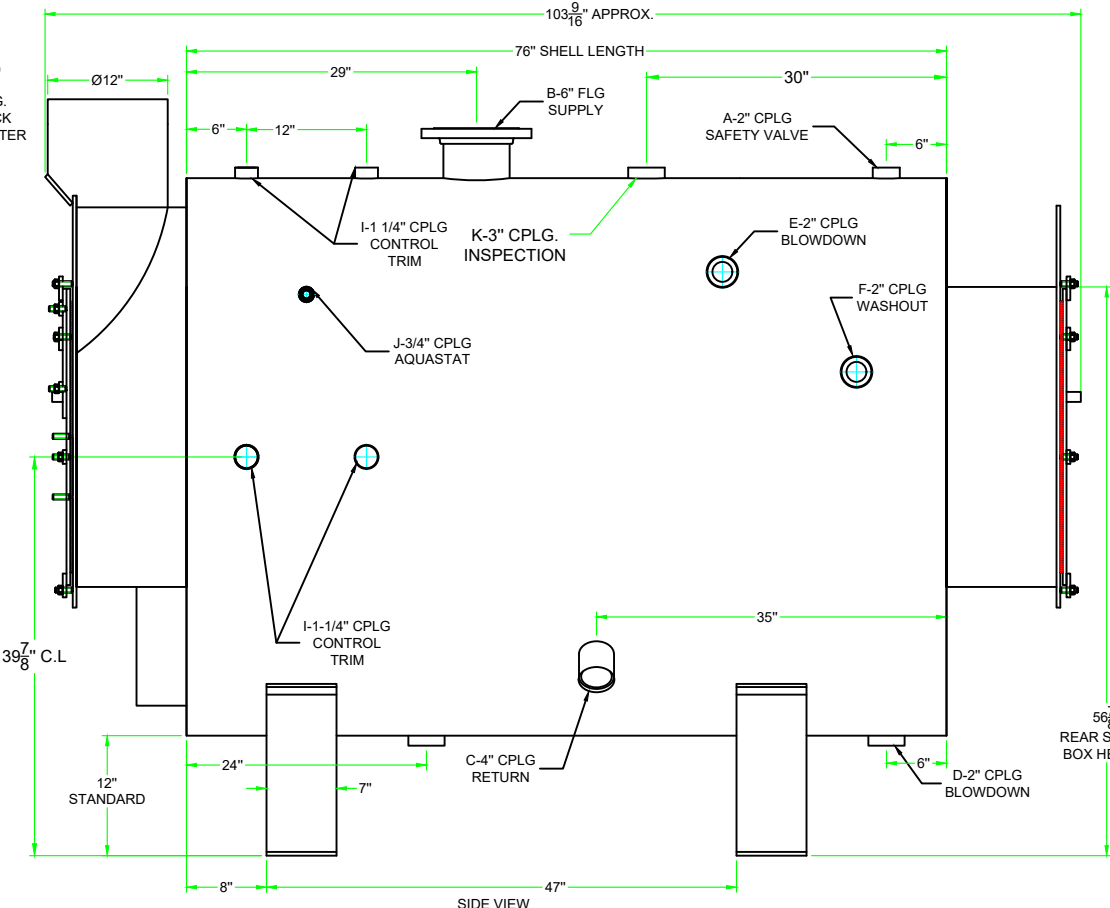


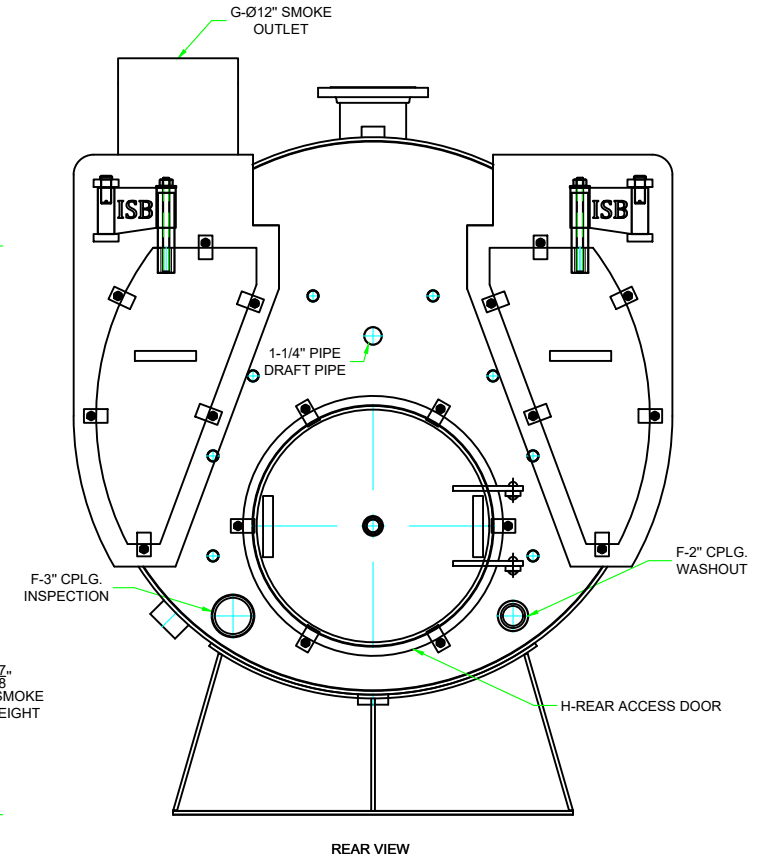
TOP VIEW



FRONT VIEW



SIDE VIEW



REAR VIEW

DRAWN BY MJA		11/27/2023		INDUSTRIAL STEAM BOILER CORPORATION 70 LAMBERT AVE, COPIAGUE, NY 11726 Ph: 1-718-665-0888			
CHECK BY THOMAS FRANCULO		11/27/2023					
QUALITY CONTROL THOMAS FRANCULO		11/27/2023					
THIS DOCUMENT CONTAINS CONFIDENTIAL INFORMATION WHICH IS THE PROPERTY OF INDUSTRIAL STEAM BOILER CORP. THIS DOCUMENT MAY NOT BE REPRODUCED, TRANSFERRED OR USED, OR ITS CONTENTS DISCLOSED, WITHOUT THE WRITTEN PERMISSION OF THE OWNER.							
PROJECT				SIZE B	SERIAL NO	DWG NO. ISB4-50SD	REV 0
				SCALE 1:2	SHEET #1		

50 HP 4 PASS (15 PSI STEAM)
FRONT, SIDE, REAR & TOP VIEW