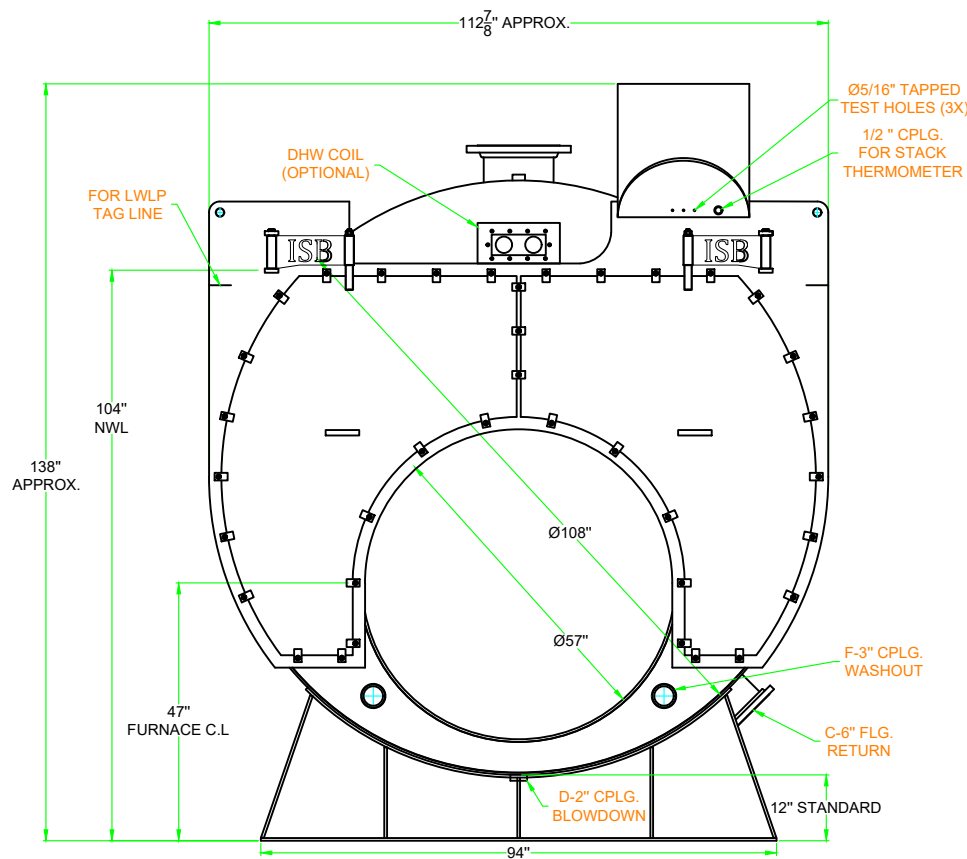
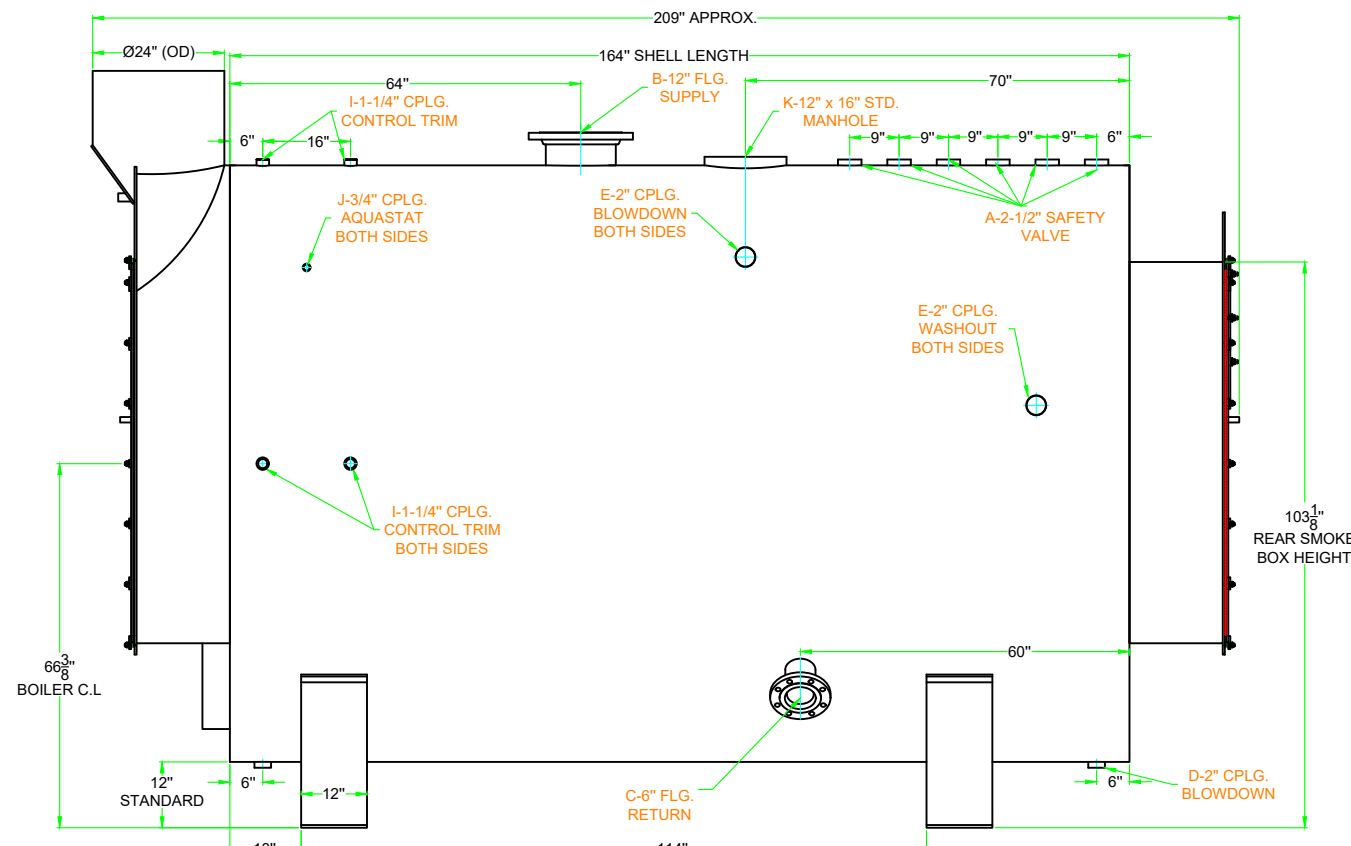


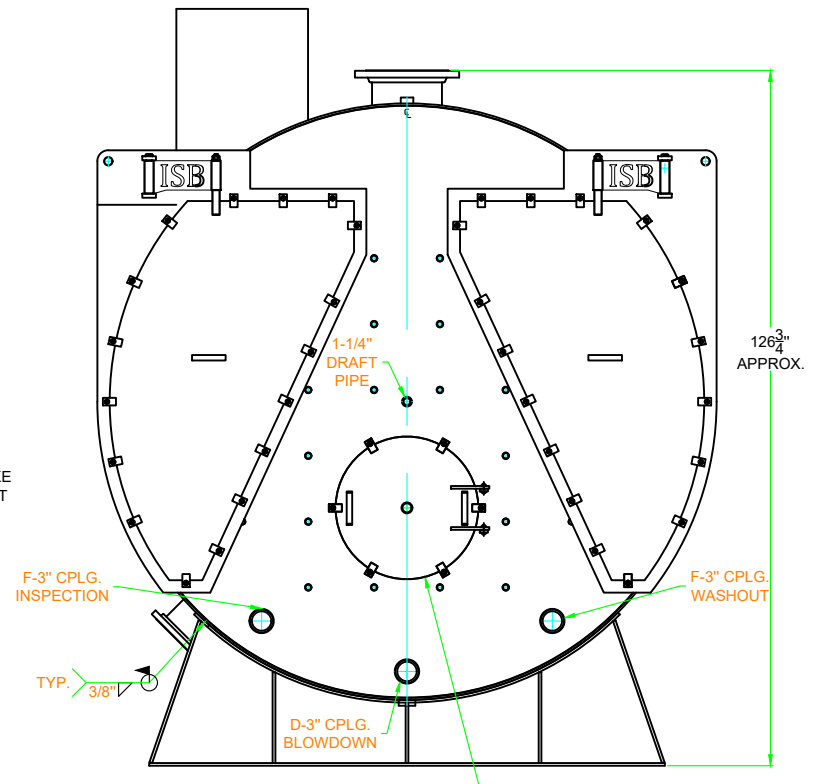
TOP VIEW



FRONT VIEW



SIDE VIEW



REAR VIEW

DRAWN BY MJA	MJA 11-27-2023
CHECK BY THOMAS FRANCUCCO	TF 11-27-2023
QUALITY CONTROL THOMAS FRANCUCCO	TF 11-27-2023

**INDUSTRIAL STEAM BOILER CORPORATION**  
 70 LAMBERT AVE, COPIAGUE, NY 11726  
 Ph: 1-718-665-0888

THIS DOCUMENT CONTAINS CONFIDENTIAL INFORMATION WHICH IS THE PROPERTY OF INDUSTRIAL STEAM BOILER CORP. THIS DOCUMENT MAY NOT BE REPRODUCED, TRANSFERRED OR USED, OR ITS CONTENTS DISCLOSED, WITHOUT THE WRITTEN PERMISSION OF THE OWNER.

**500 HP 4 PASS (15 PSI STEAM)**  
 FRONT, SIDE, REAR & TOP VIEW

PROJECT:	SIZE B	SERIAL NO	DWG NO. ISB4-500SD	REV 0
	SCALE 1:35	NB NO.	SHEET #1	