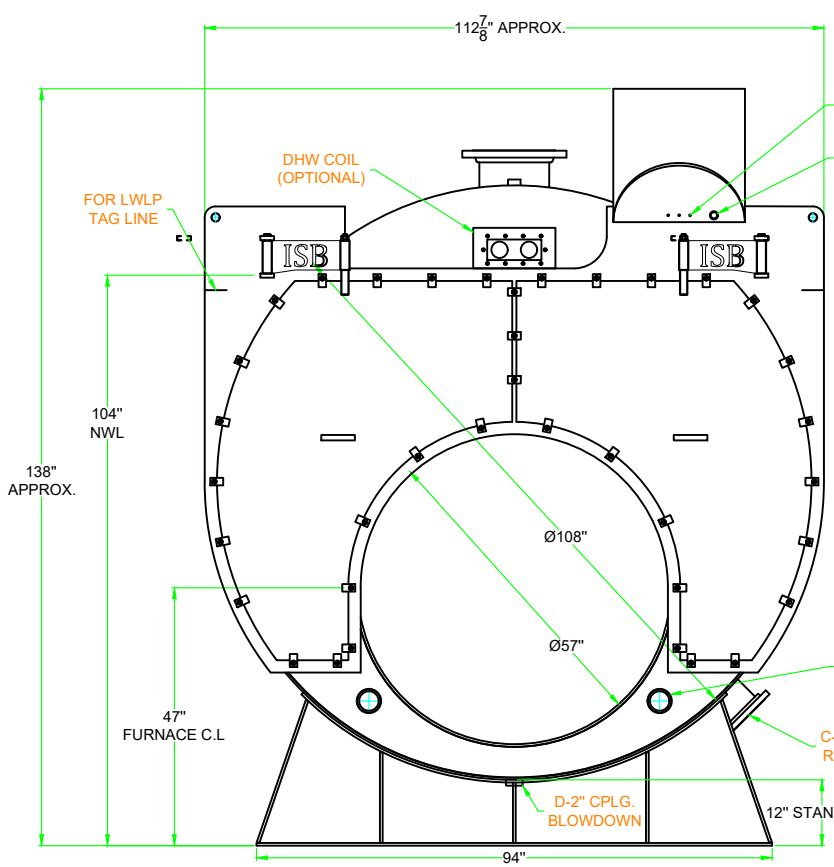
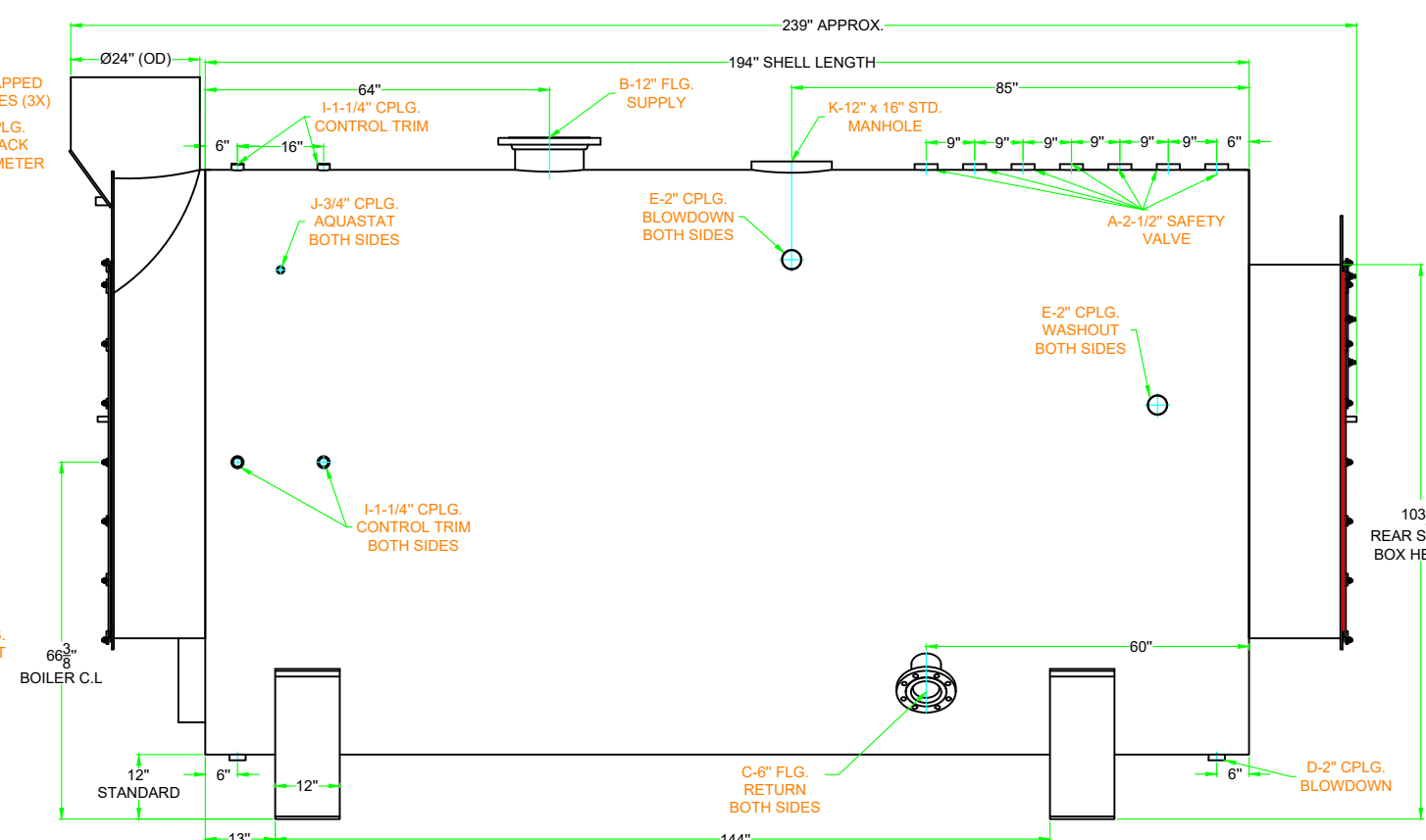


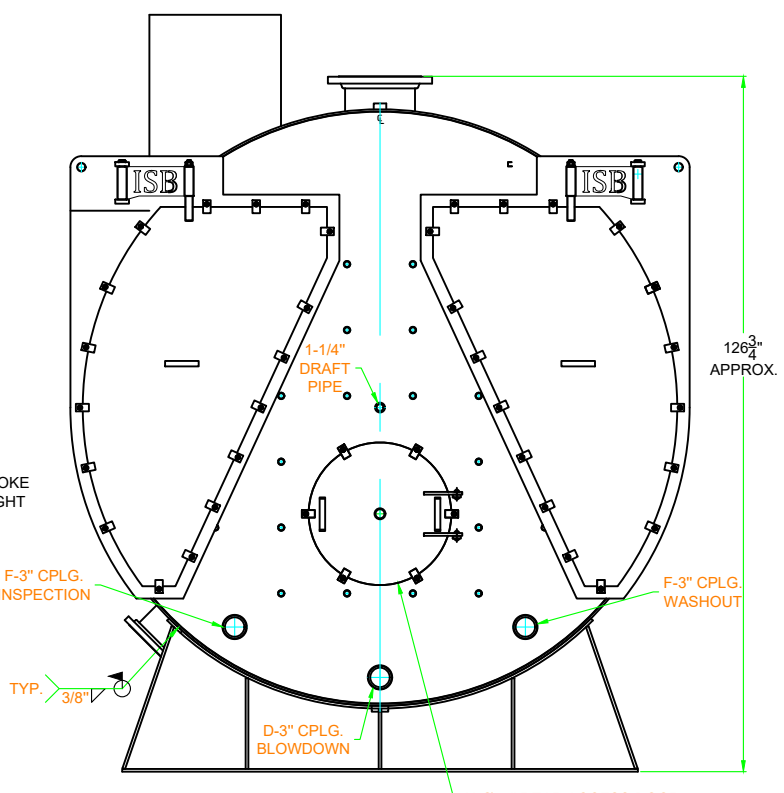
TOP VIEW



FRONT VIEW



SIDE VIEW



REAR VIEW

DRAWN BY MJA	MJA 11-27-2023
CHECK BY THOMAS FRANCUCCO	TF 11-27-2023
QUALITY CONTROL THOMAS FRANCUCCO	TF 11-27-2023

INDUSTRIAL STEAM BOILER CORPORATION
 70 LAMBERT AVE, COPIAGUE, NY 11726
 Ph: 1-718-665-0888

THIS DOCUMENT CONTAINS CONFIDENTIAL INFORMATION WHICH IS THE PROPERTY OF INDUSTRIAL STEAM BOILER CORP. THIS DOCUMENT MAY NOT BE REPRODUCED, TRANSFERRED OR USED, OR ITS CONTENTS DISCLOSED, WITHOUT THE WRITTEN PERMISSION OF THE OWNER.

600 HP 4 PASS (15 PSI STEAM)
 FRONT, SIDE, REAR & TOP VIEW

PROJECT:

SIZE B	SERIAL NO	DWG NO. ISB4-600SD	REV 0
SCALE 1:35	NB NO.	SHEET #1	