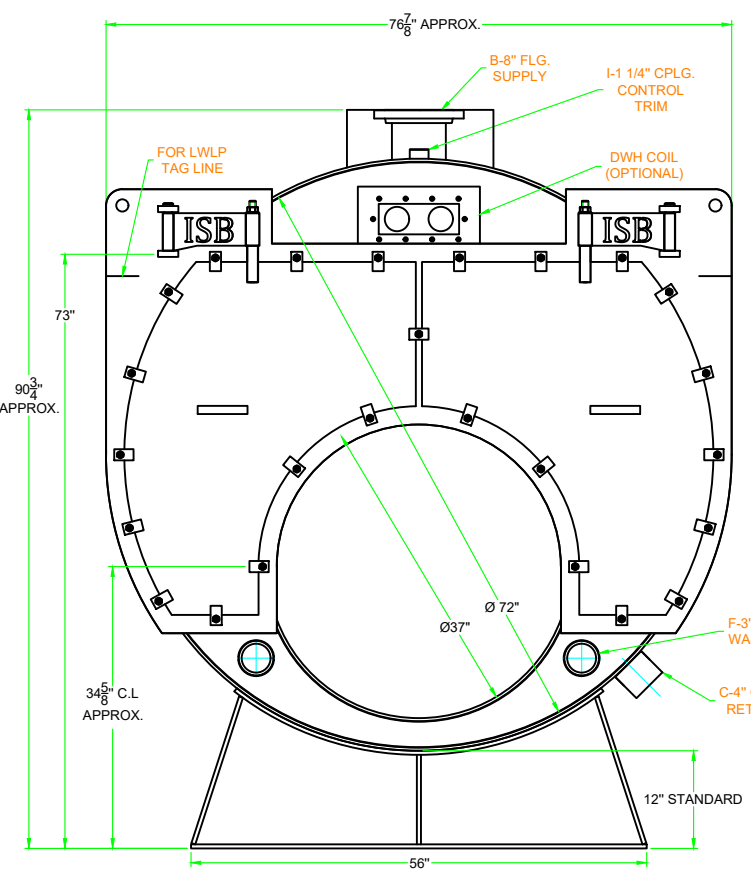
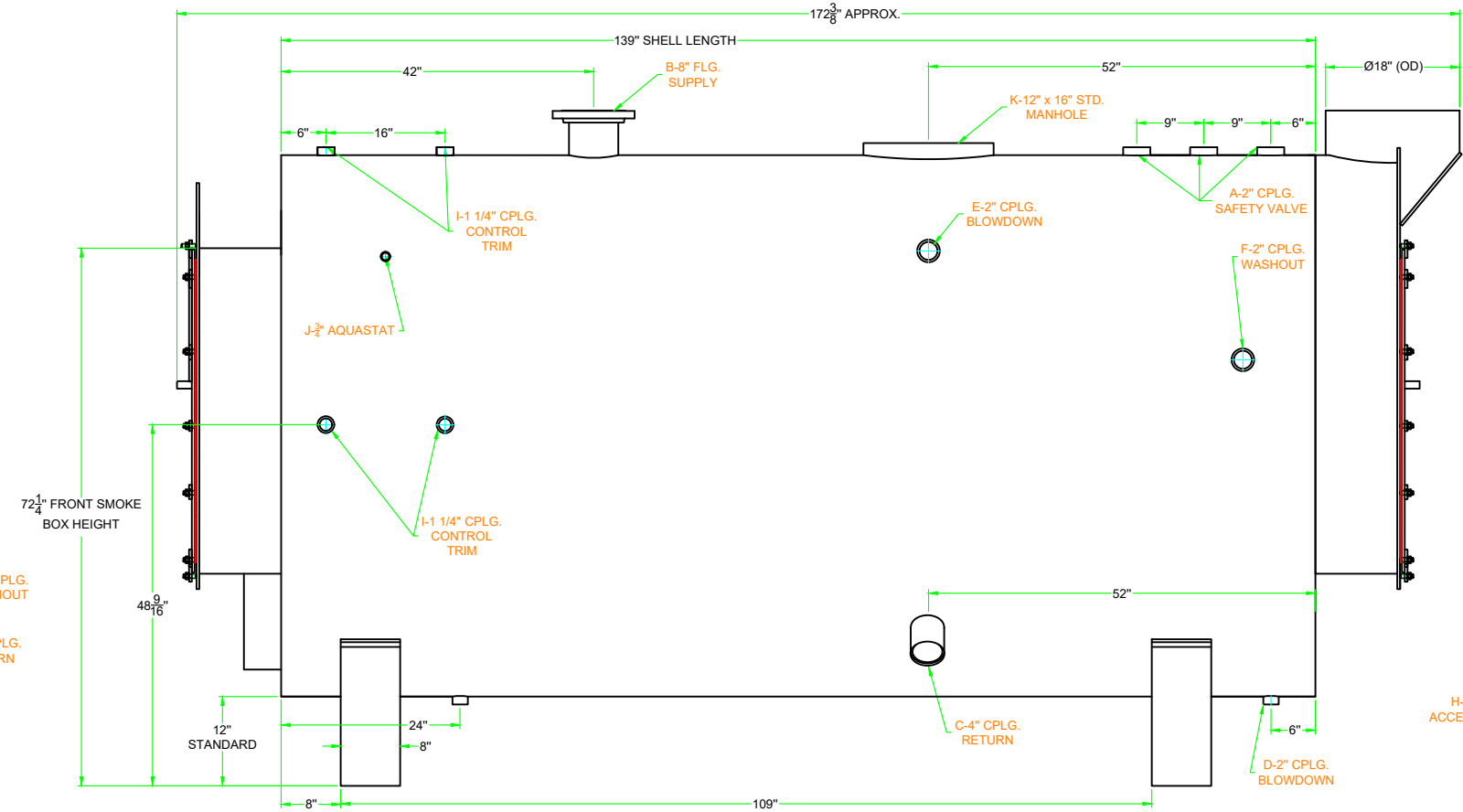


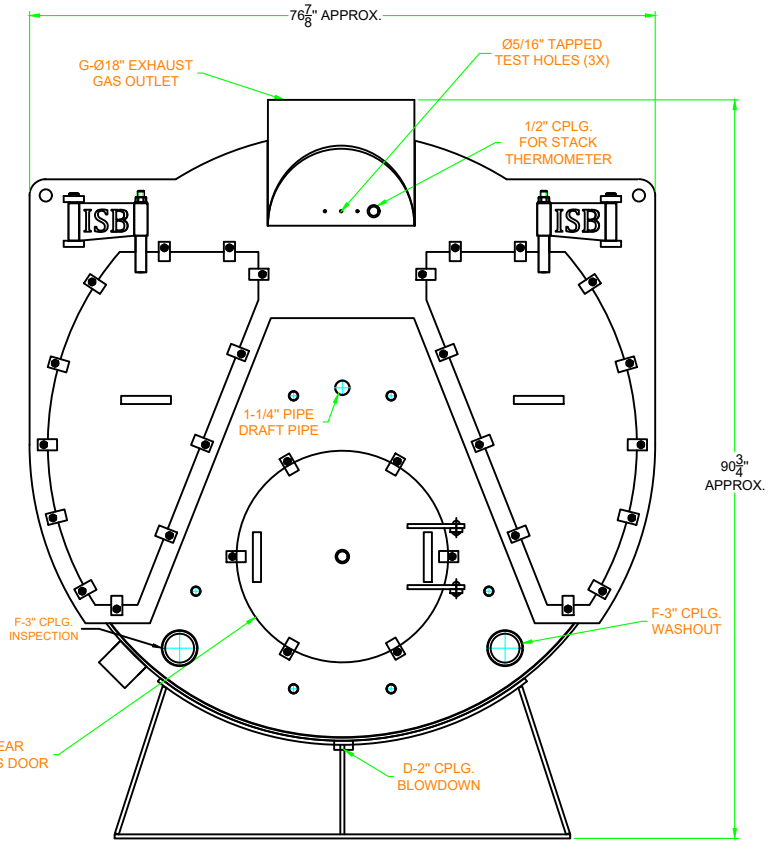
TOP VIEW



FRONT VIEW



SIDE VIEW



REAR VIEW

DRAWN BY MJA	09-11-2023
CHECK BY THOMAS FRANCUCCIO	09-11-2023
QUALITY CONTROL THOMAS FRANCUCCIO	09-11-2023

INDUSTRIAL STEAM BOILER CORPORATION
 70 LAMBERT AVE, COPIAGUE, NY 11726
 Ph: 1-718-665-0888

THIS DOCUMENT CONTAINS CONFIDENTIAL INFORMATION WHICH IS THE PROPERTY OF INDUSTRIAL STEAM BOILER CORP. THIS DOCUMENT MAY NOT BE REPRODUCED, TRANSFERRED OR USED, OR ITS CONTENTS DISCLOSED, WITHOUT THE WRITTEN PERMISSION OF THE OWNER.

175 HP 3 PASS (15 PSI STEAM)
 FRONT, SIDE, REAR & TOP VIEW

SIZE B	PROJECT NO.	DWG NO. ISB3L-175SD	REV 0
SCALE 1:25	SHEET #1		